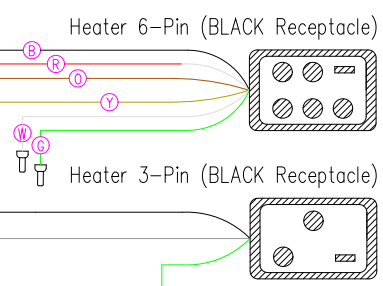
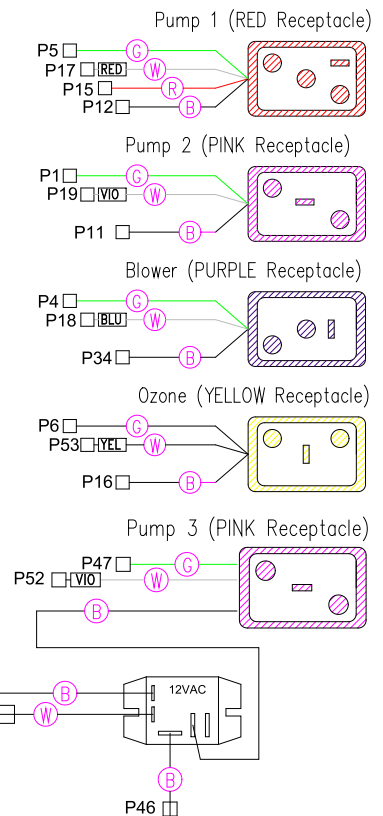
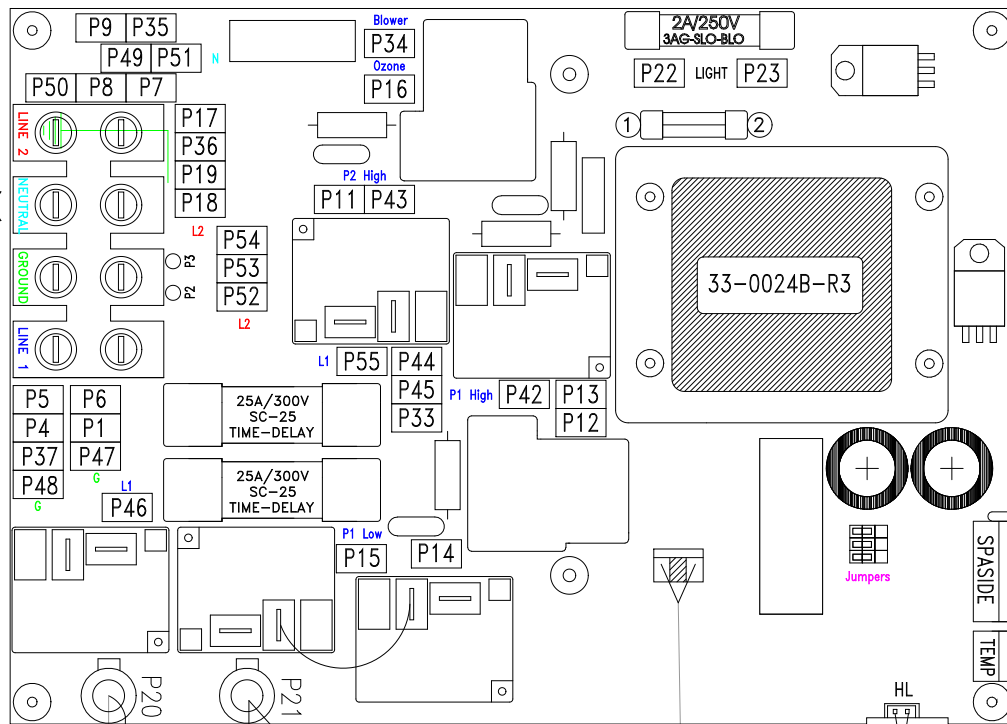
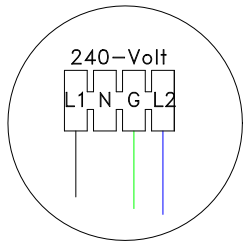


NO CONNECTION



LEGEND	
	- 1/4" QUICK CONNECT
	- 1/4" QUICK CONNECT PIGGYBACK
	- RING CONNECTOR
	- SOCKET CONNECTOR
	- PIN CONNECTOR

**HYDRO-QUIP**  
CORONA, CA (951) 273-7575

Manufacture Notes:  
**#1** For 240V operation of heater, plug must be installed into 240V receptacle  
**#2** Line 1 and Line 2 need to be CONNECTED for 120V operation.

Drawn MBS	Rev 1	Wire Color Code B - Black      G - Green Br - Brown    Bl - Blue R - Red        V - Violet O - Orange     W - White Y - Yellow     Gr - Gray
Date	03.11.09	
Diagram No.	8052_SPL	